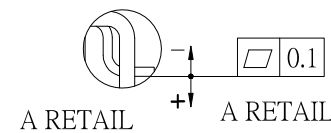
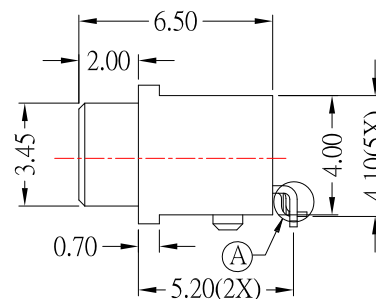


Waterproof Level : IPX 7

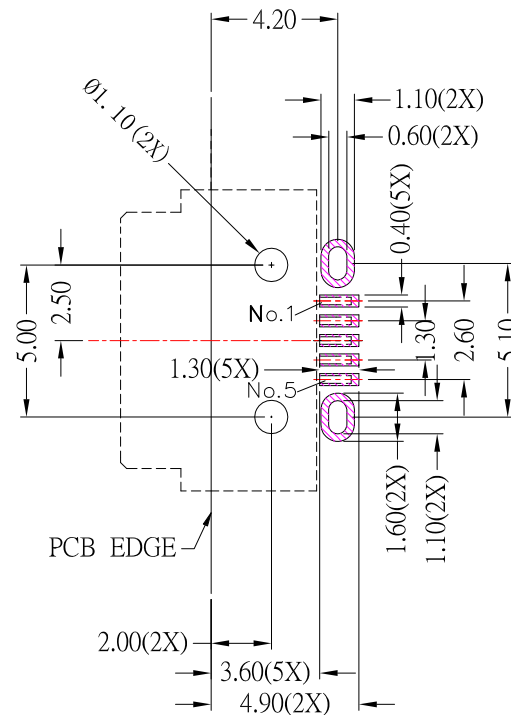
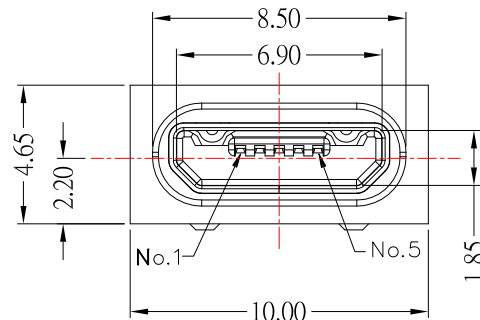


Material:

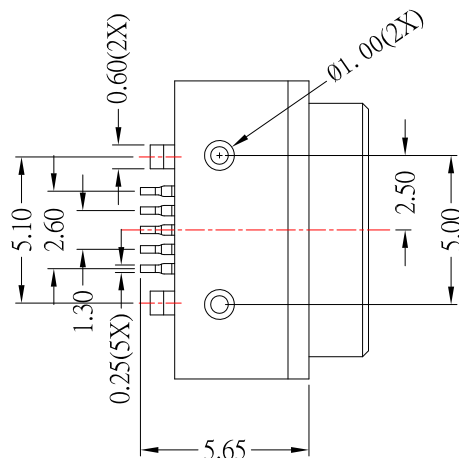
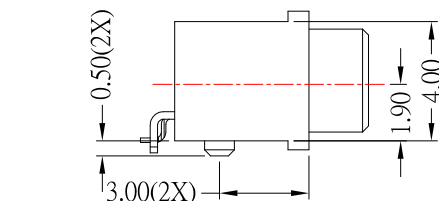
- 1.Housing: PA10T
- 2.Contact: Phosphor Bronze
- 3.Shell: SUS
- 4.Cover: LCP

Finish:

- 1.Contact: Plated Gold in Mating Area ;  
Gold Plated on Solder Balls  
Nickel under plated overall
- 2.Shell: Nickel under Plated surface layer



PCB LAYOUT MOUNTING PATTERN  
TOP VIEW



TOLERANCE UNLESS OTHERWISE STATED:  
Up to 5 ±0.2  
Above 5 ~ 15 ±0.3  
Above 15 ~ 30 ±0.4  
Above 30 ~ 50 ±0.5  
Angle ±0.3

3RD. ANGEL'S



UNITS

MM

DRAWN BY: Jack Lu  
CHECKED BY: Jacky Chen  
APPROVED BY: Tony Kao

DATE: 11/24/16  
DATE: 11/24/16  
DATE: 11/24/16

MAT'L  
FINISH  
SCALE: 1 : 1  
SHEET NO.: 1 of 1

TITLE: CONNECTOR  
MODLE: MICRO USB B TYPE SMT 防水型  
DWG NO.: MRUSB-5B-WP2-S052  
PART NO.: MRUSB-5B-WP2-S052

SIZE: A4  
VER: A1

ITEM NO.	DESCRIPTION	DRAWN	DATE
2	更新材質	Jack	112416
1	更新為A0版	Jack	032816